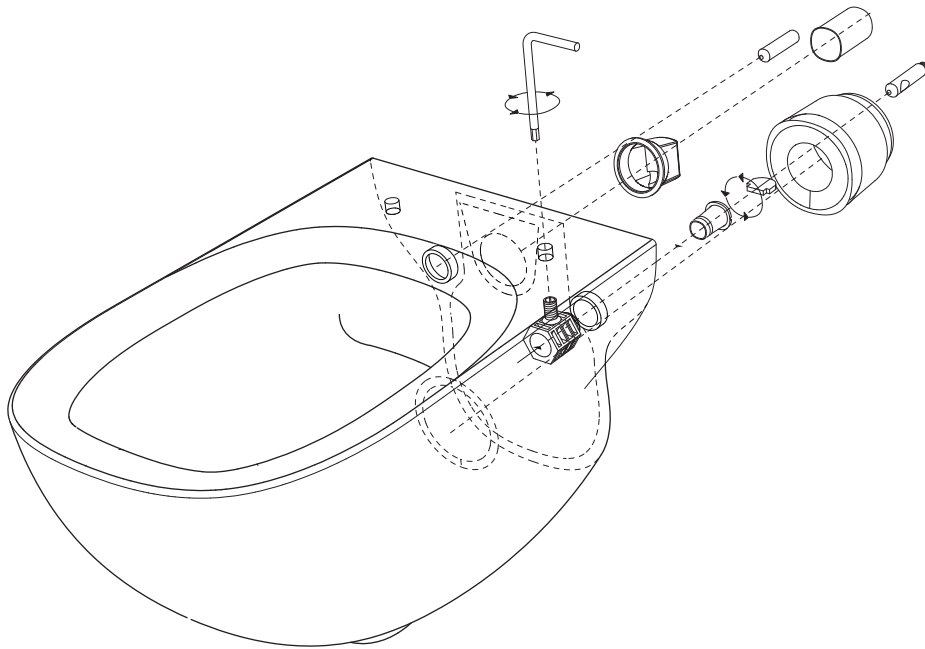


INSTALLATION INSTRUCTION | TOILET
PURE WALL-HUNG WC NORIM

Mariolli



HINTEX

Tel: +1 (844) 404-0440 Email: info@hintex.com

Website: www.hintex.com

PURE WALL-HUNG WC NORIM

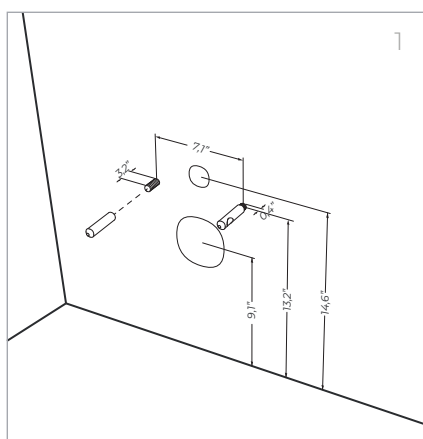
20,5"x13,4"x14"

Mariolli

IMPORTANT

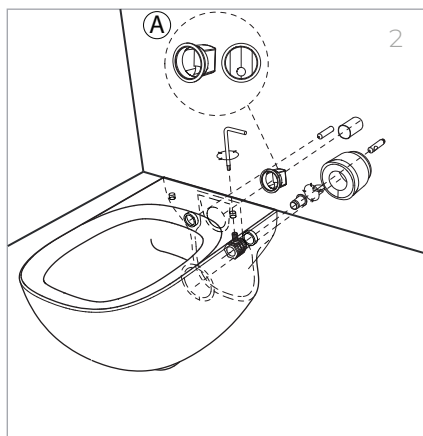
It is highly recommended to set the in wall cistern at 135,3 oz, since a greater water flow rate and the excessive pressure in general can cause problems of splashing, in case solvable by installing the supplied water pressure reducer (detail A). We kindly suggest not to use this wc with low installation cisterns not able to grant a stable performance.

INSTALLATION MEASUREMENTS

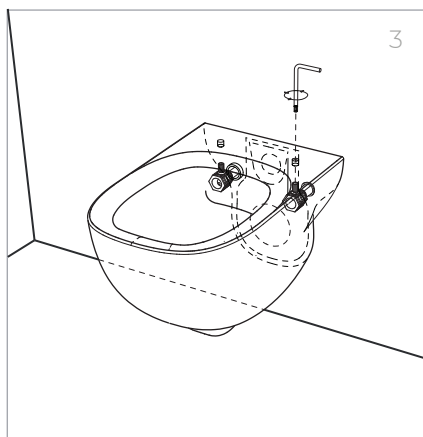


1. Set up as shown in the assembly guide

Ⓐ ATTENTION: insert the diverter with down hole



2. Insert the fixing screws as shown in the picture
(Fixing pin oriented toward the installation holes of seat cover)



3. Tighten the pin inserting the key in the installation holes of seat cover

CLEARING ADVISE:

To clean our products we suggest widely available detergnets specifically designed to clean ceramic surfaces.

Do not use products which have not been tested and have not been recommended to use on ceramics, such as acids, corrosive and abrasive products. These will likely damage the ceramic.

It is good practice to dry the ceramic parts after having washed them in order to avoid the development of unsightly limestone deposits. Such deposits are likely if the ceramic is not properly cleaned and maintained.